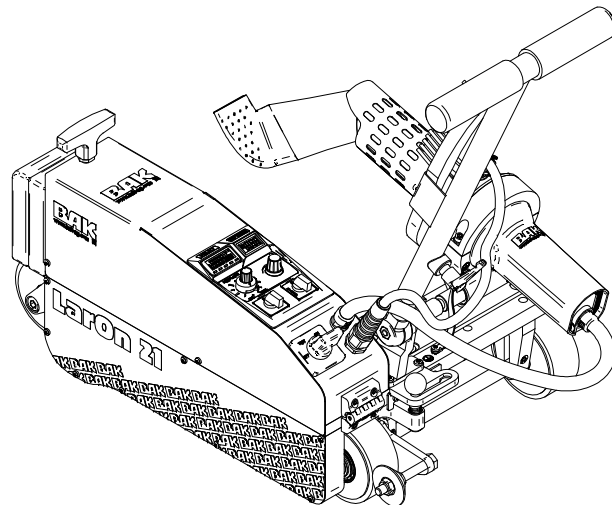



Part no.	Description
6600832	Sticker; disconnect mains

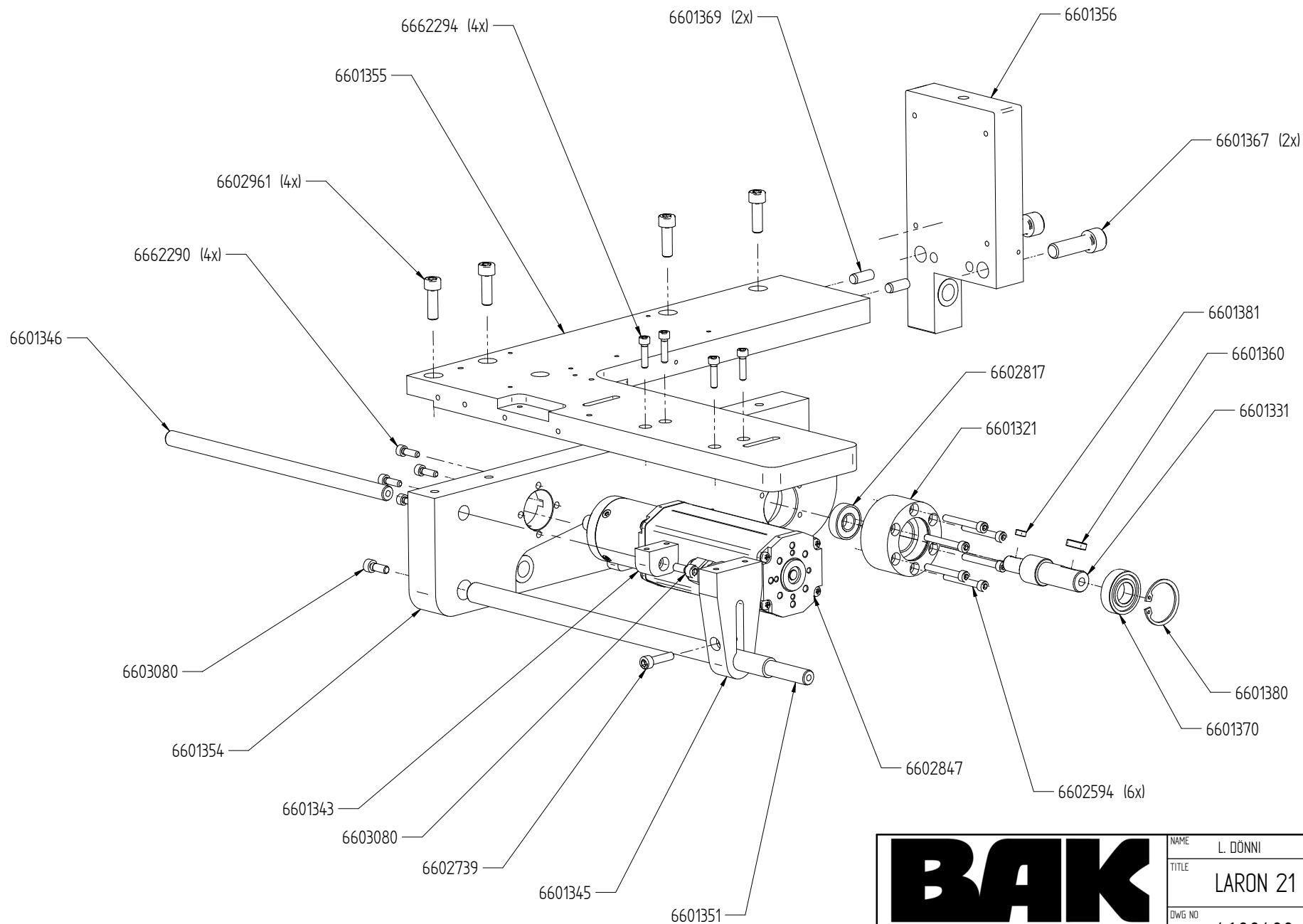


Part no.	Description
6601462	Type plate LarOn 21 230V
6601463	Type plate LarOn 21 400V

 www.bak-ag.com	NAME	L. DONNI	DATE	17.12.2020
	TITLE	LARON 21		
	DWG NO	4600400		
GENERAL TOLERANCES ACCORDING TO	ISO 2768 - mK		MATERIAL	REVISION
REFER TO PROTECTION NOTICE	ISO 16016		SCALE:	1:6
			WEIGHT:	29.422 kg
				SHEET 1 OF 9

Part no.	Description	Qty	Part no.	Description	Qty	Part no.	Description	Qty	Part no.	Description	Qty	Part no.	Description	Qty
6100287	Hexagon nut M5	3	6601320	Bolt drag roller	1	6601367	Cheese head screw M12x40	2	6601426	Cable guidance	1	6602961	Cheese head screw M8x25	4
6100435	Torsional protection washer M4	2	6601321	Bearing bush	1	6601368	Retaining ring D30	3	6601428	Weight 1 complete	1	6602969	Hexagon screw M10x80	1
6100436	Flat head screw M4x6 slotted	2	6601322	Chain tensioner	1	6601369	Dowel pin 8x22	2	6601429	Weight 2 complete	1	6602970	Retaining ring D26	1
6101243	Fillister head screw M4x8 torx	7	6601323	Bolt	3	6601370	Ball bearing 17x35x10	1	6601432	Ball bearing 17x30x7	8	6602971	Spacer ring 10x14x2	1
6101270	Gasket 70x48x4	1	6601325	Stop bolt	1	6601371	Roller air blocker	2	6601433	Cheese head screw M12x35	2	6602982	Washer 90° M5	2
6101274	Mica tube long	1	6601329	Pressure spring	3	6601372	Ball knob	1	6601434	Cheese head screw M12x25	1	6602987	Hexagon nut M10	1
6112693	Thermocouple	1	6601331	Drive shaft	1	6601377	Stop bolt with counter nut	1	6601435	Shim washer 18x25x0,1	2	6603064	Ball bearing 10x26x8	1
6113395	Cable fitting straight M16x1,5	1	6601332	Slot nut	2	6601379	Ball bearing 30x47x9	2	6601437	Countersunk screw M12x25	1	6603074	Fillister head screw M3x6 torx	4
6113695	Temperature limit switch 135°C	1	6601334	Right pedestal bearing	1	6601380	Retaining ring D35	1	6601440	Wire brush	1	6603076	ULS screw M5x10 torx	4
6600595	Countersunk screw M4x12 torx	4	6601335	Round belt roller	1	6601381	Sprocket key 4x4x10	1	6601443	Distance holder 7,9mm	3	6603079	Cheese head screw M5x12	2
6600601	Air filter	1	6601336	Stopper	1	6601382	Hinge	1	6601444	Drive cover	1	6603080	Cheese head screw M6x16	3
6600603	Countersunk screw PT K30x8 torx	3	6601338	Left pedestal bearing	1	6601384	Upper pipe complete	1	6601447	Protecting cover sensor	1	6603081	Cheese head screw M8x16	1
6600613	Turbine housing	1	6601339	Positioning plate	1	6601385	Lower pipe complete	1	6601448	GPS tracker	1	6603090	Washer M6 6,4/12/1,6	2
6600614	Stripper	1	6601340	Distance bush motor	1	6601386	Clamping lever	1	6601449	SIM card	1	6603092	Washer M6 6,4/18/1,6	3
6600615	Phototransistor complete	1	6601341	Plate swivel axis	1	6601387	Plug	1	6601450	Slider roller complete	1	6603109	Set screw M5x20	2
6600616	Countersunk screw PT K30x10 torx	3	6601342	Chain	1	6601388	Steering bar lower part	1	6601451	Bush roller complete	1	6603151	Nut M16x1,5	2
6600622	Fillister head screw M4x10 torx	14	6601343	Fixation guiding shaft	1	6601391	Centering bush M8	1	6601452	Real travel roller bracket complete	1	6662290	Cheese head screw M5x16	6
6600636	Turbine lower part	1	6601344	Slider air blocker	2	6601392	Pressure spring	1	6601453	Slider complete	1	6662294	Cheese head screw M5x20	10
6600637	Turbine upper part	1	6601345	Fixation shaft	1	6601393	Wing screw M8x30	1	6601454	Holder airblocker complete	1	6662299	Cheese head screw M6x20	2
6600638	Connecting head complete	1	6601346	Guidance roller	1	6601394	Housing	1	6601459	Nut M20x1,5	1	6662445	Fillister head screw M5x12 torx	7
6600639	Handle	1	6601347	Locking ring Er0n	1	6601395	Proximity sensor	1	6601460	Disk M16	1	6662648	Lock washer M5	6
6600648	Hose coupling M16x1,5	2	6601349	Lever round belt roller	1	6601399	Cable connection with bend protection	1	6601461	Ring cable holder	1	6662668	BL Motor 230V complete	1
6600652	Flex hose 430mm	1	6601350	Drag roller bracket	1	6601401	Main switch	1	6601467	Frontpanel complete	1	6662683	Electronic circuit board	1
6600796	Hang up clamp	1	6601351	Axle	1	6601402	Mainboard	1	6601468	Lock button complete	1	6662688	Motor circuit board Er0n BL 230V	1
6600804	Hexagon nut M5	3	6601354	Drive frame	1	6601403	T-Handle M10	1	6602034	Countersunk screw M6x16 torx	2			
6600880	Washer M5 5,3/15/1,2	2	6601355	Priming plate	1	6601404	Transformer	1	6602043	Countersunk screw M5x12 torx	2			
6601015	Countersunk screw M4x8 torx	1	6601356	Head plate	1	6601405	Distance holder 9,5mm	5	6602594	Cheese head screw M5x40	6			
6601089	Distance bush	1	6601357	Swivel axis	1	6601407	Pin ring	1	6602624	Sticker, grounding	6			
6601112	Chain wheel z13	1	6601359	Spring-pressure piece M8	1	6601408	Potentiometer 47k	1	6602739	Cheese head screw M6x25	5			
6601113	Chain wheel z14	1	6601360	Sprocket key 5x5x20	1	6601409	Potentiometer 10k	1	6602817	Ball bearing 12x28x8	3			
6601143	Round belt	1	6601361	Washer M8 8x4/24x2	1	6601410	Controller	1	6602847	Motor	1			
6601170	Washer M5 5,3/10/1	8	6601362	Disk 90° M4	2	6601411	Display	1	6602914	Switch 0-1	1			
6601236	Protection hold handle	2	6601363	Disk 90° M6	2	6601412	Display print	1	6602915	Switch Hand-0-Auto	1			
6601306	Terminal block complete	1	6601364	Hull M4x15	2	6601416	Grounding strap	1	6602931	Hexagon nut M10	2			
6601307	Cooling body	1	6601365	Flat head screw M4x6,5	2	6601418	Potentiometer knob	1	6602947	Guide wheel	1			
6601311	Nozzle complete	1	6601366	Cheese head screw M6x30	1	6601419	Grounding piece	1	6602960	Countersunk screw M6x25 torx	2			

BAK www.bak-ag.com	NAME	L. DONNI	DATE	17.12.2020	
	TITLE	LARON 21			
	DWG NO	4600400			
GENERAL TOLERANCES ACCORDING TO	ISO 2768 - mK	MATERIAL			
REFER TO PROTECTION NOTICE	ISO 16016	SCALE	1:10	WEIGHT	29,422 kg
			SHEET	2 OF 9	

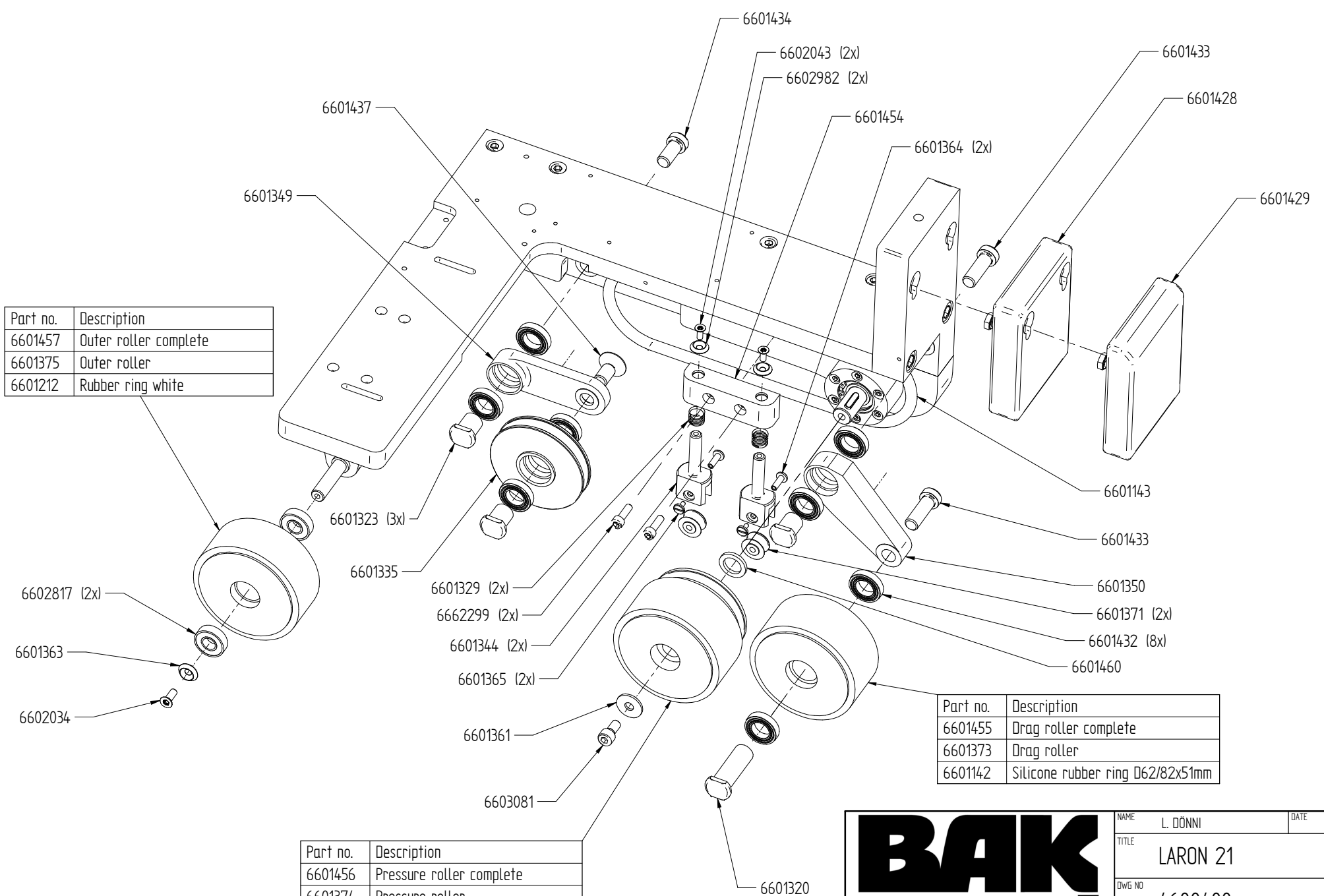


BAK
www.bak-ag.com

GENERAL TOLERANCES ACCORDING TO ISO 2768 - mK
REFER TO PROTECTION NOTICE ISO 16016

NAME	L. DÖNNI	DATE	17.12.2020
TITLE	LARON 21		
DWG NO	4600400		
MATERIAL		REVISION	-
SCALE:	13	WEIGHT:	29.422 kg
		SHEET 3 OF 9	

Part no.	Description
6601457	Outer roller complete
6601375	Outer roller
6601212	Rubber ring white



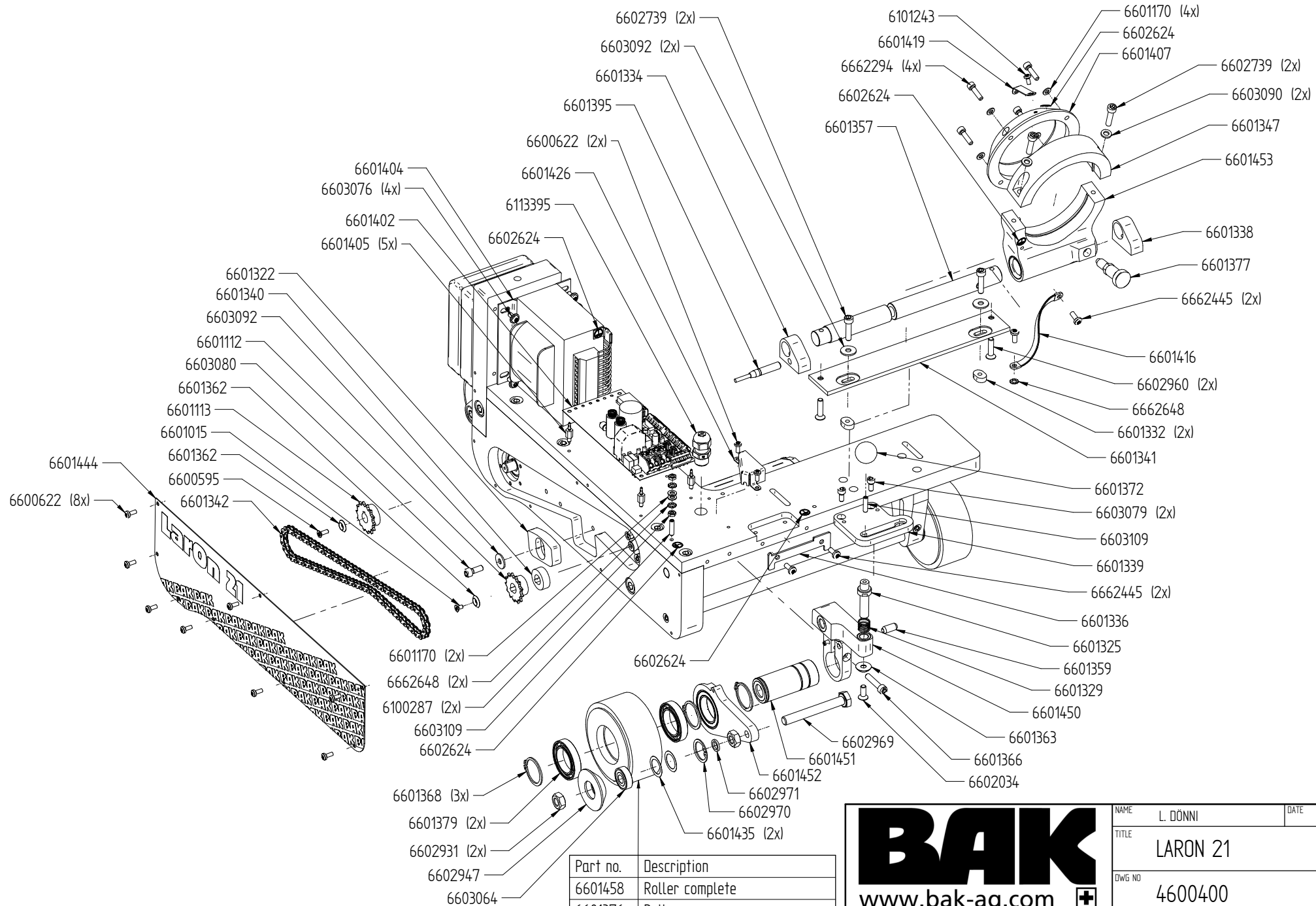
Part no.	Description
6601456	Pressure roller complete
6601374	Pressure roller
6601142	Silicone rubber ring D62/82x51mm

Part no.	Description
6601455	Drag roller complete
6601373	Drag roller
6601142	Silicone rubber ring D62/82x51mm



NAME	L. DONNI	DATE	17.12.2020
TITLE	LARON 21		
DWG NO	4600400		
MATERIAL		REVISION	-
SCALE	13	WEIGHT	29.422 kg
SHEET		4 OF 9	

GENERAL TOLERANCES ACCORDING TO ISO 2768 - mK
REFER TO PROTECTION NOTICE ISO 16016



6601444
6600622 (8x)

6601322
6601340
6603092
6601112
6603080
6601362
6601113
6601015
6601362
6600595
6601342

6601404
6603076 (4x)
6601402
6601405 (5x)

6600622 (2x)
6601426
6113395
6602624

6602739 (2x)
6603092 (2x)
6601334
6601395

6101243
6601419
6662294 (4x)
6602624
6601357

6601170 (4x)
6602624
6601407

6602739 (2x)
6603090 (2x)
6601347
6601453

6601338
6601377
6662445 (2x)

6601416
6602960 (2x)
6662648
6601332 (2x)
6601341

6601372
6603079 (2x)
6603109
6601339
6662445 (2x)

6601336
6601325
6601359
6601329
6601450

6601363
6601366
6602034

6601170 (2x)
6662648 (2x)
6100287 (2x)
6603109
6602624

6601368 (3x)
6601379 (2x)
6602931 (2x)
6602947
6603064

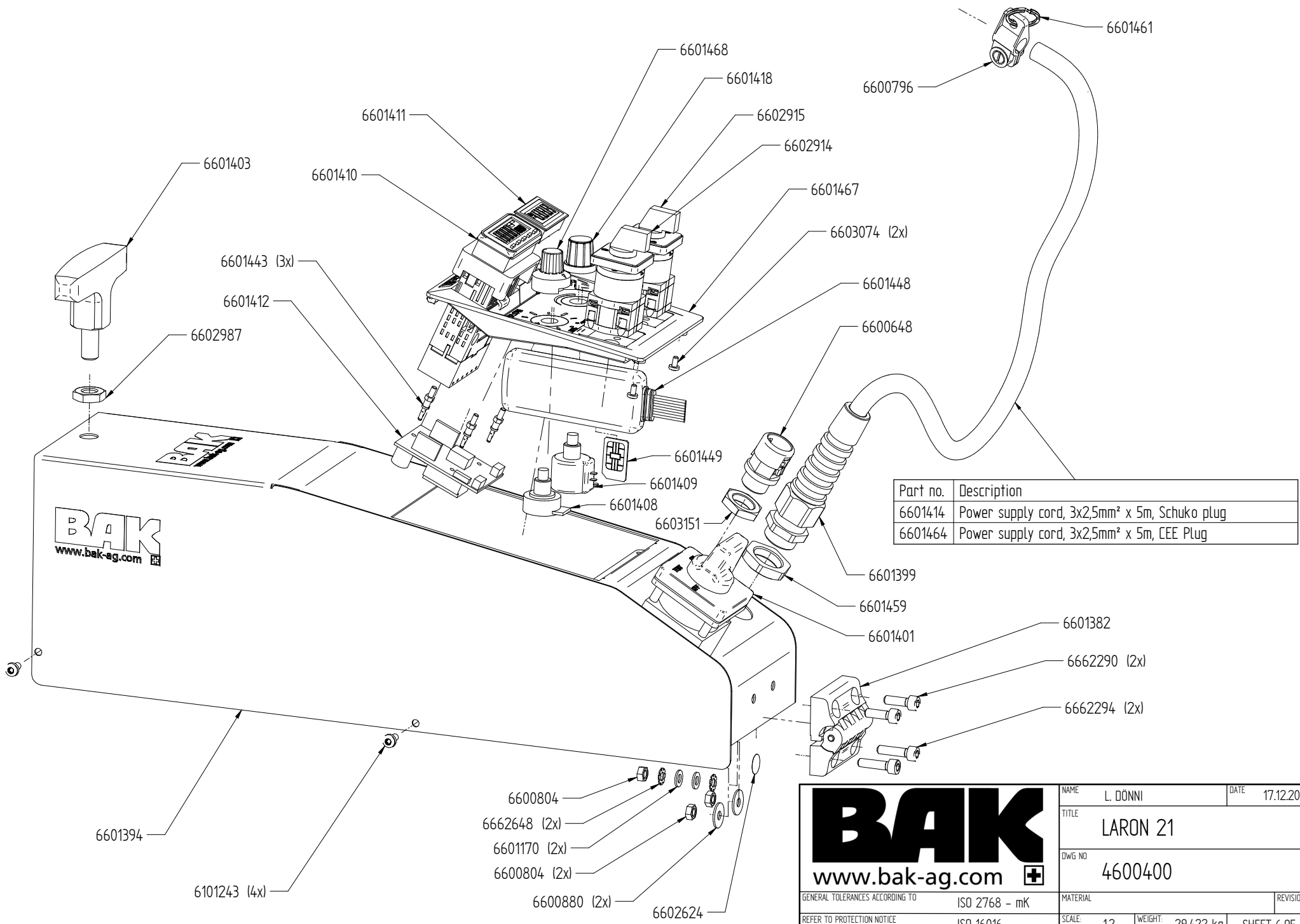
6602624
6601452
6601451
6602969
6601451
6601452
6602971
6602970
6601435 (2x)

Part no.	Description
6601458	Roller complete
6601376	Roller
6601212	Rubber ring white

BAK
www.bak-ag.com

GENERAL TOLERANCES ACCORDING TO ISO 2768 - mK
REFER TO PROTECTION NOTICE ISO 16016

NAME	L. DÖNNI	DATE	17.12.2020
TITLE	LARON 21		
DWG NO	4600400		
MATERIAL		REVISION	-
SCALE	14	WEIGHT	29.422 kg
		SHEET 5 OF 9	

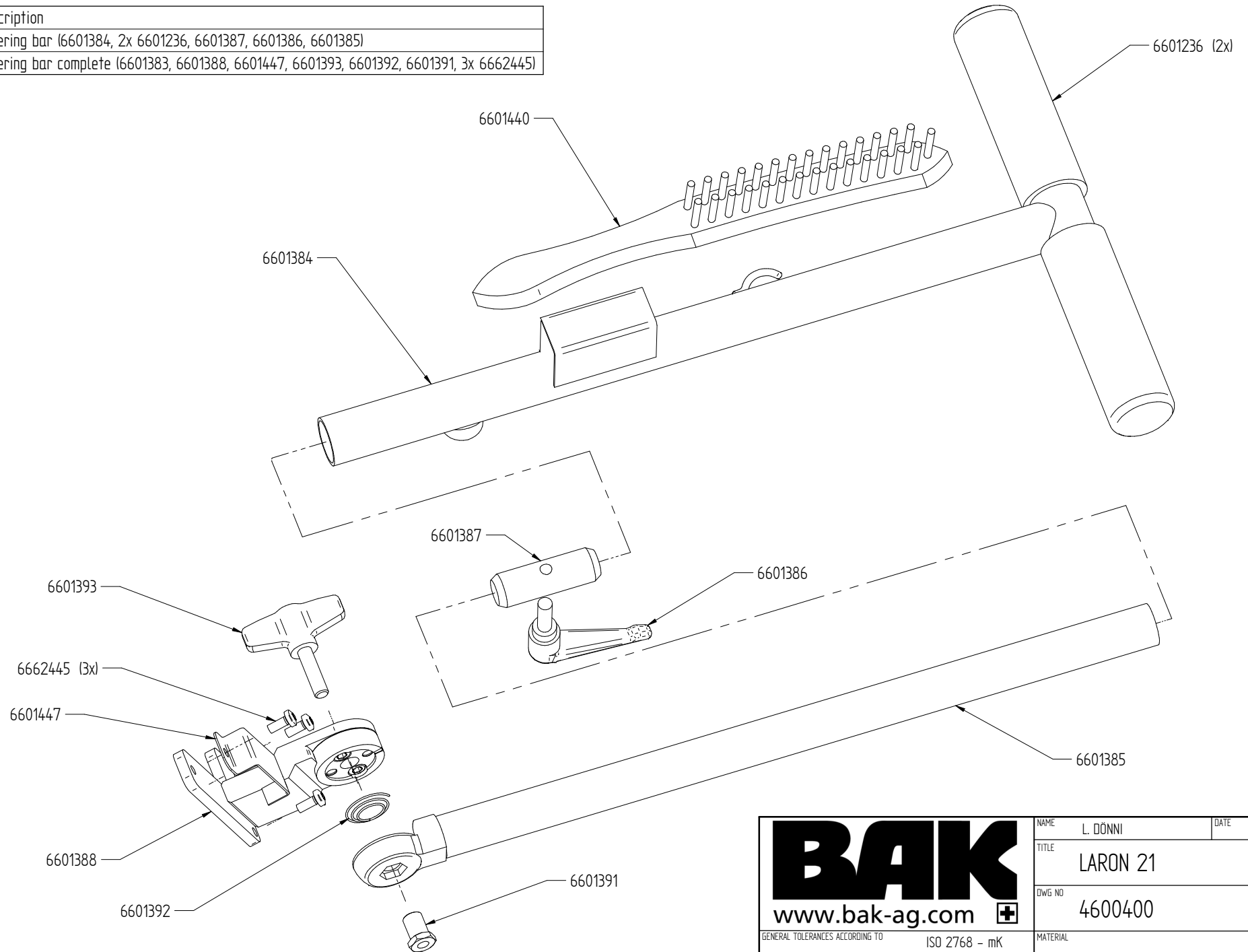



Part no.	Description
6601414	Power supply cord, 3x2,5mm² x 5m, Schuko plug
6601464	Power supply cord, 3x2,5mm² x 5m, CEE Plug

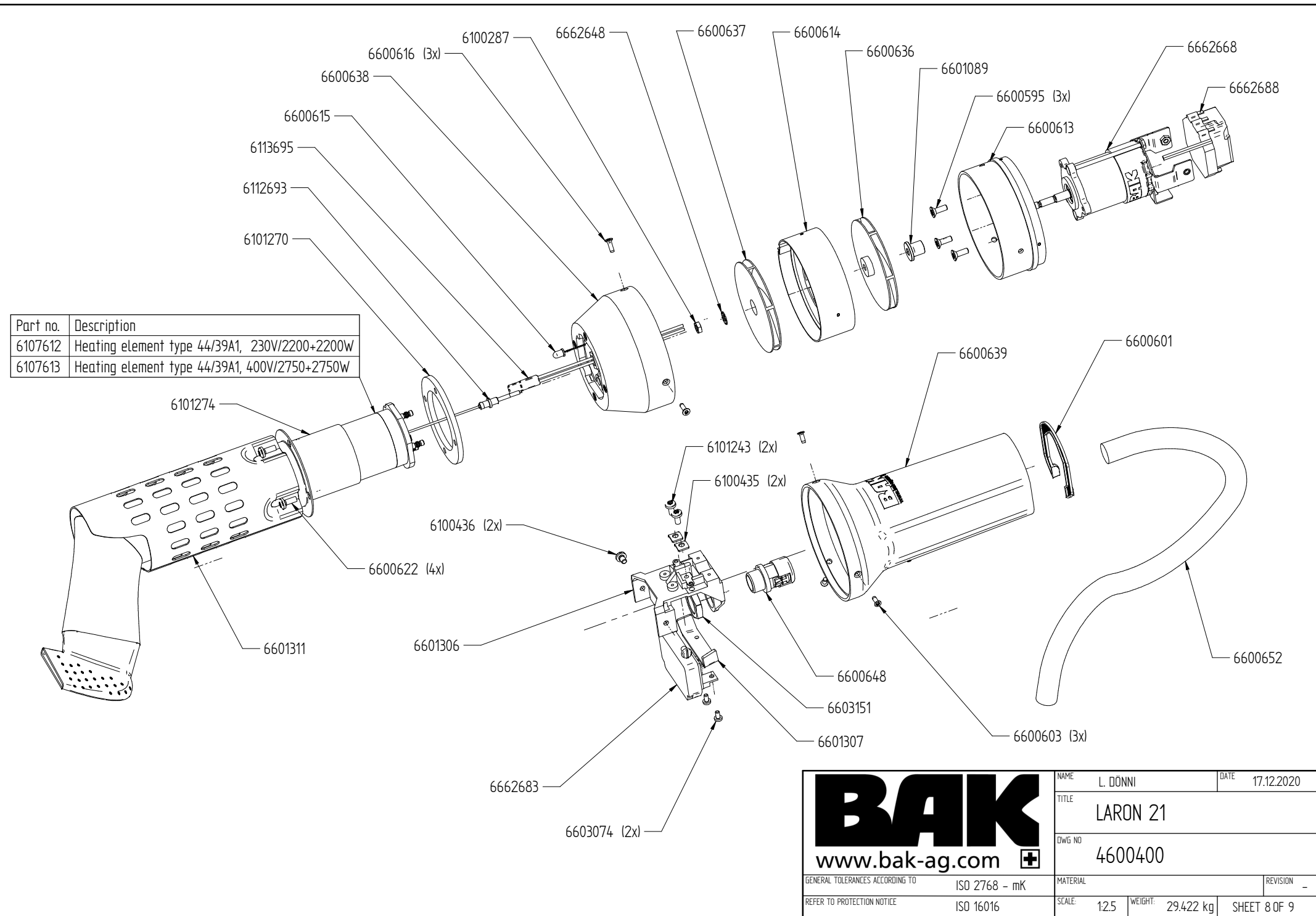


NAME	L. DÖNNI	DATE	17.12.2020
TITLE	LARON 21		
DWG NO	4600400		
GENERAL TOLERANCES ACCORDING TO	ISO 2768 - mK		MATERIAL
REFER TO PROTECTION NOTICE	ISO 16016		REVISION -
SCALE:	1:2	WEIGHT:	29.422 kg
			SHEET 6 OF 9

Part no.	Description
6601383	Steering bar (6601384, 2x 6601236, 6601387, 6601386, 6601385)
6601427	Steering bar complete (6601383, 6601388, 6601447, 6601393, 6601392, 6601391, 3x 6662445)



 www.bak-ag.com	NAME	L. DÖNNI	DATE	17.12.2020
	TITLE	LARON 21		
	DWG NO	4600400		
	GENERAL TOLERANCES ACCORDING TO	ISO 2768 - mK		MATERIAL
REFER TO PROTECTION NOTICE	ISO 16016		SCALE:	1:2
	WEIGHT:	29.422 kg		SHEET 7 OF 9

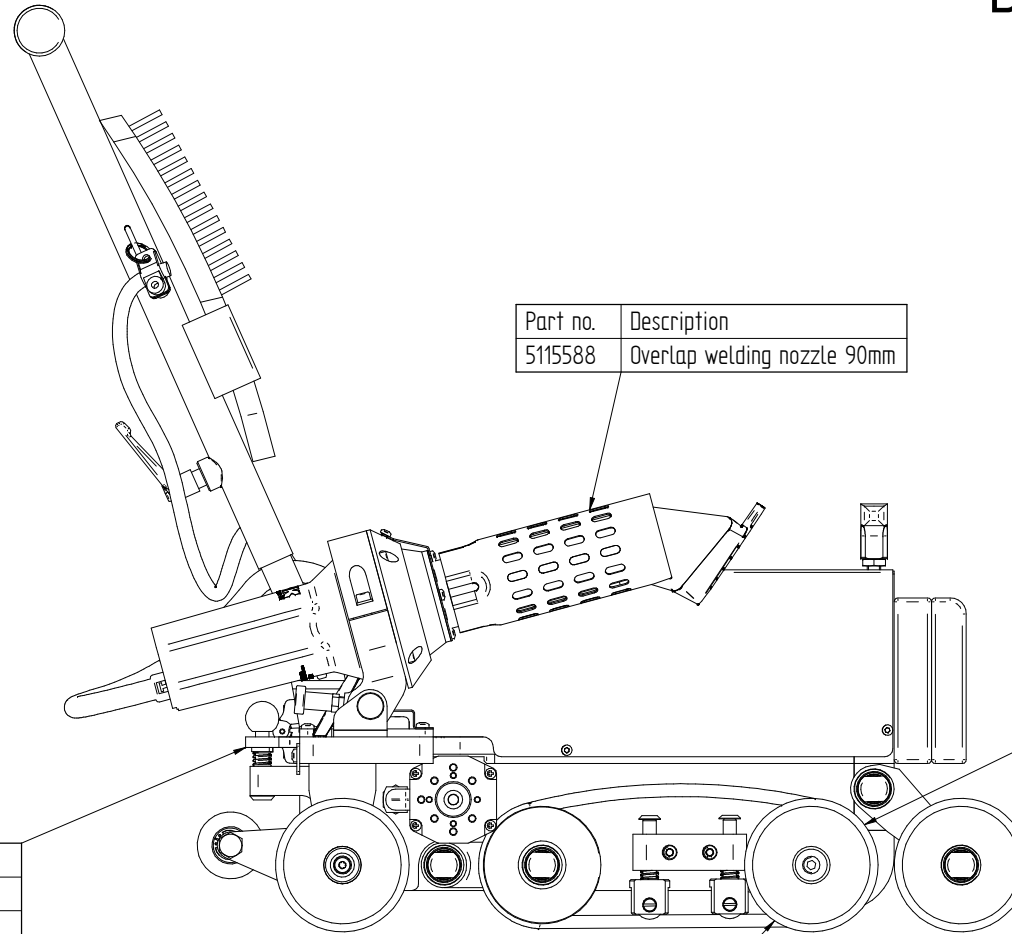


Part no.	Description
6107612	Heating element type 44/39A1, 230V/2200+2200W
6107613	Heating element type 44/39A1, 400V/2750+2750W

BAK
www.bak-ag.com 

NAME	L. DÖNNI	DATE	17.12.2020
TITLE	LARON 21		
DWG NO	4600400		
GENERAL TOLERANCES ACCORDING TO	ISO 2768 - mK	MATERIAL	REVISION -
REFER TO PROTECTION NOTICE	ISO 16016	SCALE:	1:2.5
	WEIGHT:	29.422 kg	SHEET 8 OF 9

BITUMEN VERSIONS



Part no.	Description
5115588	Overlap welding nozzle 90mm

Part no.	Description
6601465	Pressure roller 80mm complete
6601424	Pressure roller 80mm
6601142	Silicone rubber ring D62/82x51mm
5100929	Silicone rubber ring D62/82x45mm

Part no.	Description
6601420	Stopper 80mm
6601421	Stopper 100mm
6601422	Positioning plate 80mm
6601423	Positioning plate 100mm

Part no.	Description
6601466	Pressure roller 100mm complete
6601425	Pressure roller 100mm
6601142	Silicone rubber ring D62/82x51mm
5102236	Silicone rubber ring D62/82x22mm
5100929	Silicone rubber ring D62/82x45mm

BAK
www.bak-ag.com 

GENERAL TOLERANCES ACCORDING TO ISO 2768 - mK
REFER TO PROTECTION NOTICE ISO 16016

NAME	L. DÖNNI	DATE	17.12.2020
TITLE	LARON 21		
DWG NO	4600400		
MATERIAL		REVISION	-
SCALE:	14	WEIGHT:	29.422 kg
		SHEET 9 OF 9	