
Bedienungsanleitung

Operating Instructions

ExOn6, DX310



Döhle Extrusionstechnik GmbH
Eitorfer Strasse 1
D – 53809 Ruppichterath
www.dohle-extruder.de

We retain all copyrights of all descriptions, drawings and schedules contained in these operating instructions which may not be reproduced nor be made accessible by third parties or by competitors, neither in whole nor in part, unless we have expressly consented thereto.

Before start-up these operating instructions must be examined carefully because we will not assume any liability for any failures resulting from improper use. No warranty claims will be accepted if the hand-held welding and extruding machine has been modified unless this has been done in consultation with the manufacturer/ supplier.

The appliance is not to be used by persons (including children) with reduced physical, sensory or mental capabilities, or lack of experience and knowledge, unless they have been given supervision or instruction.

Children must be supervised not to play with the appliance.

The extruder shall be used for extrusion weld works only !

These operating instructions should always be accessible by the operator.

For after-sales service and orders please contact:

DOHLE Extrusionstechnik GmbH
Eitorfer Strasse 1
D-53809 Ruppichteroth

Telephone: (+49) 02295 – 902960
Telefax: (+49) 02295 – 902961
E-Mail: info@dohle-extruder.de
www.dohle-extruder.de

english

Content

1. Description of Type	19
2. Safety	19
3. Start-up	21
4. Error tracing	24
5. Drawings, Informations	25

1. Type

Article-no. / Type of machine :	DX310 ExOn6
Machine no. :
Required voltage :	400 V / 50 – 60 Hz

2. Safety

Pursuant to section 55 of VDE 0 100 (Regulations of the Association of German Electrotechnical Engineers), the extruder must be operated using a protective switch or an isolation transformer. Always keep extruder dry!

Operating hand-held welding and extruding machines is subject to applicable national regulations. Observe applicable regulations for the prevention of accidents as well as technical rules for safe and professional operation.

Directive 92/ 57/ EWG dated June 24, 1992, shall be applicable by analogy.

Utilisation:

Hand-held welding and extruding machines are manufactured according to the latest state of the art and in compliance with safety requirements.

Any improper use may result in dangers for the operator or third parties or may adversely affect machines and assets.

Only use hand-held welding and extruding machines if in technically perfect condition and for the purposes for which they are intended while observing the operating instructions.

The manufacturer / supplier will not accept any liability for any failure to comply with the above or for damages resulting there from.

Any utilisation of the hand-held welding and extruding machine for other purposes than those for which it is intended is subject to the consent of the manufacturer / supplier.

Work on electrical parts of the hand-held welding and extruding machines may only be performed by an electrical engineer in compliance with electro-technical rules.

Special risks:

All hand-held welding and extruding machines may only be held and operated using the handles provided for this purpose.

A risk of burning exists on all **uncovered metal parts**. Avoid contact with these parts because they may achieve temperatures of up to 350 °C.

Caution: Heat can reach combustible materials!

Safety area:

The hot air stream of the hand-held welding and extruding machine may not be directed to temperature-sensitive objects or living things. Ensure that a safety distance of 2m is observed in all directions.

Don't concentrate the heat stream long time on the same area.

Operation:

Never use hand-held welding and extruding machines without air supply.
In case of external air supply ensure that the feed line is of sufficient size.
The pressurised air that is supplied **must be free of oil and water.**

Overhead work:

When working overhead always wear appropriate safety devices (such as helmet, safety glasses etc.).

Safety:

Check for correct nominal voltage before connecting the hand-held welding and extruding machine to the mains voltage.
Mains voltage must be identical to the nominal voltage shown on the type plate of the hand-held welding and extruding machine.
Pursuant to sec. 55 of VDE 0 100 the hand-held welding and extruding machine must be operated using a protective switch or an isolation transformer.

Extension cords:

When using extension cords the minimum diameter of cables must be observed.
Length up to 18 m: diameter 2.5 mm²
Length up to 50 m: diameter 4.0 mm²
Extension cords must be approved and marked for their place of utilisation.

Stop operating the hand-held welding and extruding machine if:

- connecting line or plug have been damaged
- safety installations have been damaged
- foreign objects or liquids have entered the hand-held welding and extruding machine
- changes occur in the operating state

**Never spray water on hand-held welding and extruding machines
(risk of short circuit)**

Never use hand-held welding and extruding machines in hazardous or inflammable areas.

3. Start-up

General:

Observe the notes on safety contained in these operating instructions. In addition, the regulations on the prevention of accidents and the national regulations shall apply.

Assembling the hand-held welding and extruding machine

When dispatched, our hand-held welding and extruding machines are almost completely assembled.

What remains to be done is to screw the enclosed handle to the machine.

For machines with external air supply the air supply hose must be connected.

Ensure sufficient supply with air which is free of oil and water (min. 300 l/min).

We recommend our air compressor, item no. DX 011.

Weld shoe

The machine is supplied with two weld shoes blank which can be machined to suit your requirements.

Note: please observe guideline DVS 2207 part 4.

If you indicate your required form of seam and thickness of plates we will supply two weld shoes machined ready for use.

Start-up of hand-held welding extruder

Observe the section concerning safety of these operating instructions.

Hand-held welding and extruding machines may not be used without air supply.

This would inevitably result in damages of the extruder.

Before connecting the extruder to the mains supply please check that:

- air supply is connected correctly
- the driving machine has not been put to permanent operation
- now switch on air supply
- and put plug into socket.

If you give now the power supply plug to a suitable plug socket (230V, 16A), press that On - Off switch on the air heater on position ON.

The machine heats now up.

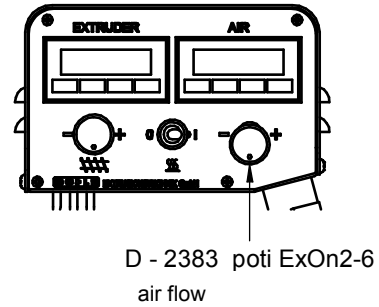
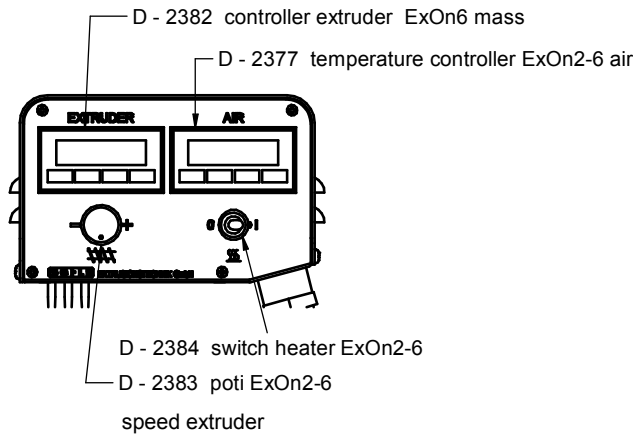
Make sure by each switching on of the machine, that the on-off switch of the drive engine is switched off.

After a heating-up time of approx. 15 minutes, start the machine using the welding material wished by you and examine the air and welding material temperature with a suitable temperature measurement. By changing the temperature of the air heater consider the reaction response time of the system .

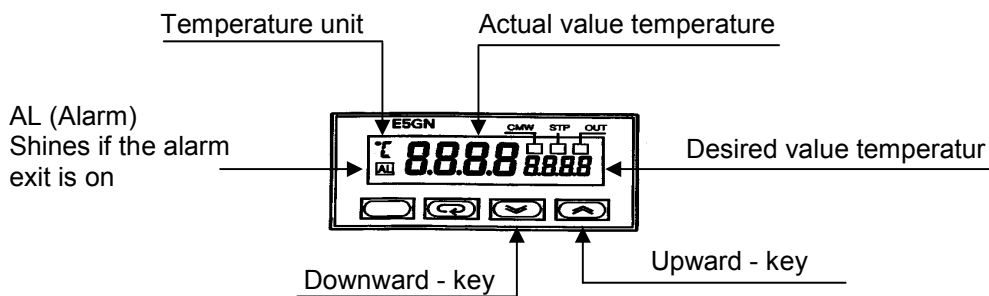
View – controller front – steering box

standard

optional



Display and control elements off he controller front

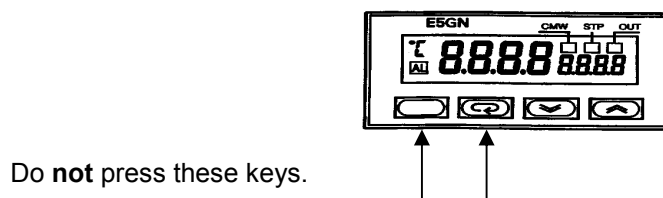


Controller – desired value setting

All controllers can be changed only in the desired value and are electrically locked against wrong inputs.

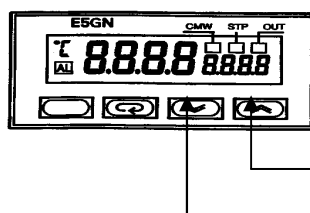
Change the desired value

The controller indicates actual and desired value temperature at the same time. To change the desired value temperature proceed as follows:



Downward - key

By every press of this key, the value becomes smaller, which is indicated on the desired value display. If this key is kept constantly pressed, then the value is sequentially becomes smaller.



Upward - key

By every press of this key, the value increases, which is indicated on the desired value display. If this key is kept constantly pressed, then the value sequentially becomes higher.

Change of the welding shoe

In order to be sure that no more old welding rod is in the hand welding extrusion, heat up the machine on operating temperature, remove the welding shoe and change the nozzle (**note: left hand thread!**).

Changing the welding filler

Heat up the hand-held welding and extruding machine until operating temperature is reached to ensure that no welding filler is present in the machine, remove the weld shoe and exchange the die (caution, left-handed thread) by a new one or by a die used with the material to be applied now.

Note: with work on heated machine burn danger.

When the nozzle is changed drive for approx. 1 min. the new welding rod in the hand welding extrusion.

Interruption of the welding

Do not leave the hand welding extruder unsupervised.

The air supply must remain maintained

Caution: When processing PVC or PVDF, hand-held welding and extruding machines may not be stopped for more than 3 min.

In such a case or if welding operations are completed a cleaning run must be performed on the machine for about 2 min. using PE or PP welding filler.

Switch off the hand welding extruder

Bring the potentiometer of the air heater in position 0 and pull after ca.2 minutes the power supply plug.

Note: Even after 15 minutes still exists burn danger on bright metal parts.

No water or other materials for accelerating the cooling procedure must be used. .

Maintenance

Before maintenance work on the equipment, pull power supply plug!

Maintenance work may be accomplished only by electrical specialists.

Consider the security chapter!

After approximately 500 operation hours the hand welding extruder, including the drive unit must be cleaned, greased and controlled. These work may be implemented only by electrical specialists.

Drive

The carbon brushes conductors of the drive must be examined approx. every 200 operation hours and renewed if necessary.

Deep groove ball thrust bearing /barrel extruder

The deep groove thrust bearing and the barrel extruder should be cleaned approx. every 200 operation hours and again be greased

Note: Only high temperature grease can be used. Our art. no.: D-0581

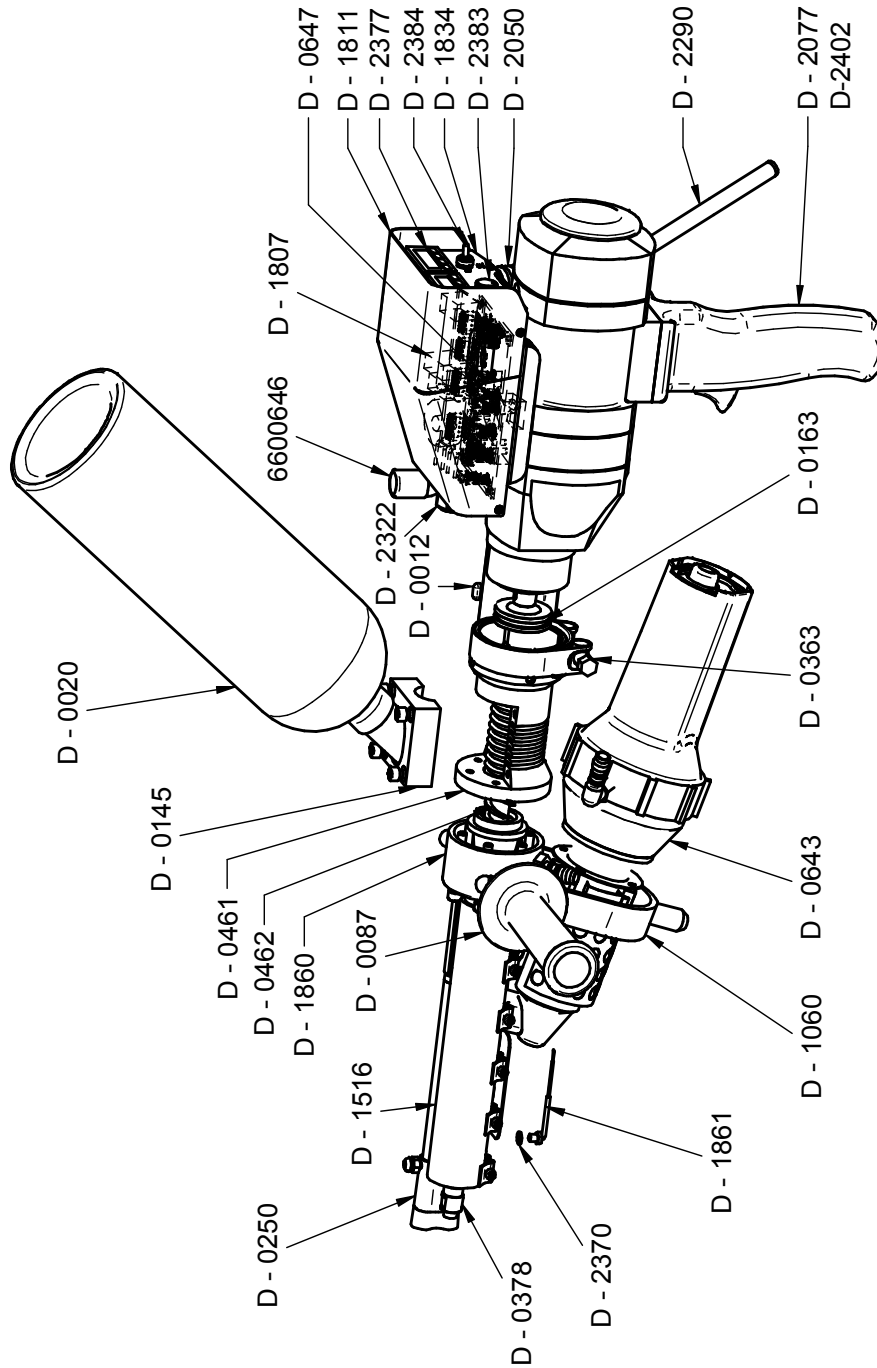
4. Error tracing

<u>Malfunctioning</u>	<u>Error- No.</u>
Driving motor does not start	01,02,04,05,06,07,08,09,10,11,12
Driving motor switches off	03,04,05,06,07,08,09,10
Extruder remains cold	04,05,06,07,08,09,15,17
Hot air remains cold	05,07,08,09,12
Hot air temperature is under desired value	11,13
Extrusion temperature is under desired value	11
Extruder does not deliver extruded material from the die	11
Display does not light up	01
Display shows: S . e r r	15
Display not constant	17
Display shows wrong direction of action	18

<u>Error-No.</u>	<u>possible cause</u>	<u>Elimination of error</u>
01	No power supply	Provide power supply
02	Incorrect mains voltage	Have checked by skilled technician
03	Extension cord becomes hot	Check cable diameter Run out cable completely from reel
04	Thermoelement for mass defective	Exchange thermoelement
05	Thermoelement for air defective	Exchange thermoelement
06	Temperature control unit for mass defective	Exchange temperature control unit
07	Temperature control unit for air defective	Exchange temperature control unit
08	On/Off switch for heating units in OFF position	Put switch to ON position
09	Defect on cable connections	Have checked by skilled technician
10	Carbon brushes of drive motor worn	Replace by new carbon brushes
11	Pre-heating time too short	Heat up extruder
12	External air supply not connected	Connect external air supply
13	Air flow too high when using external air supply	Reduce to prescribed quantity
15	Breakage of monitoring thermoelement	Replace thermoelement
16	Unsuccessful attempt to change a blocked parameter	Blockage can only be removed by a skilled technician
17	Thermoelement failure or loose connections	Check thermoelement Check connections
18	Sensor incorrectly connected, + and – mistaken	Check connections

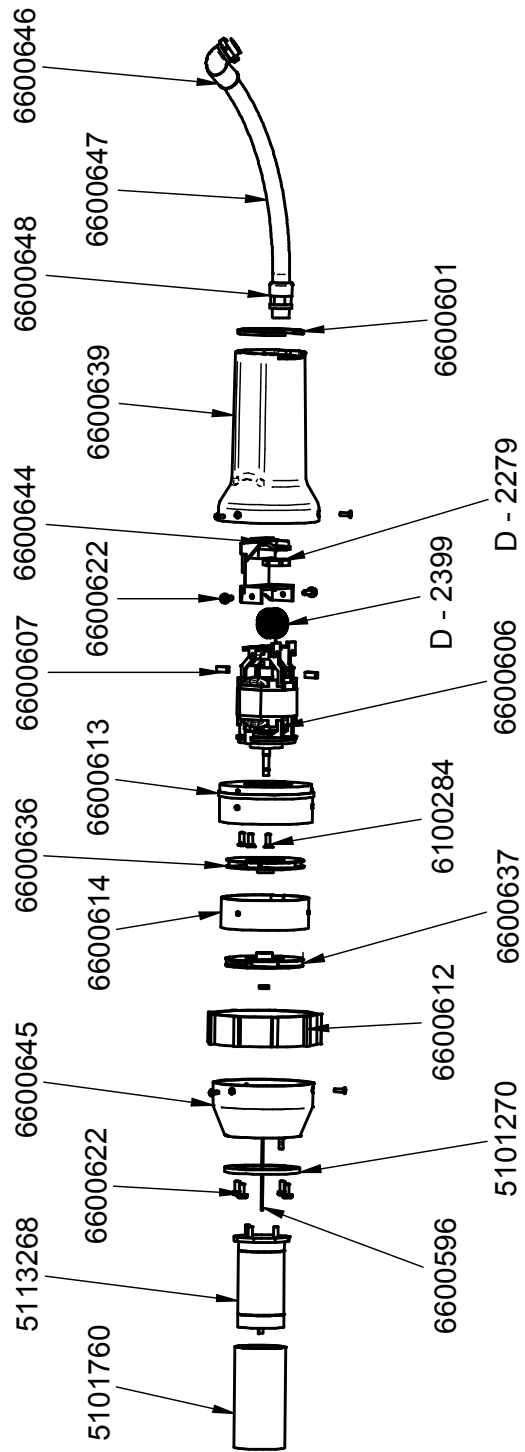
5 Drawings, Informations

DX310 ExOn6



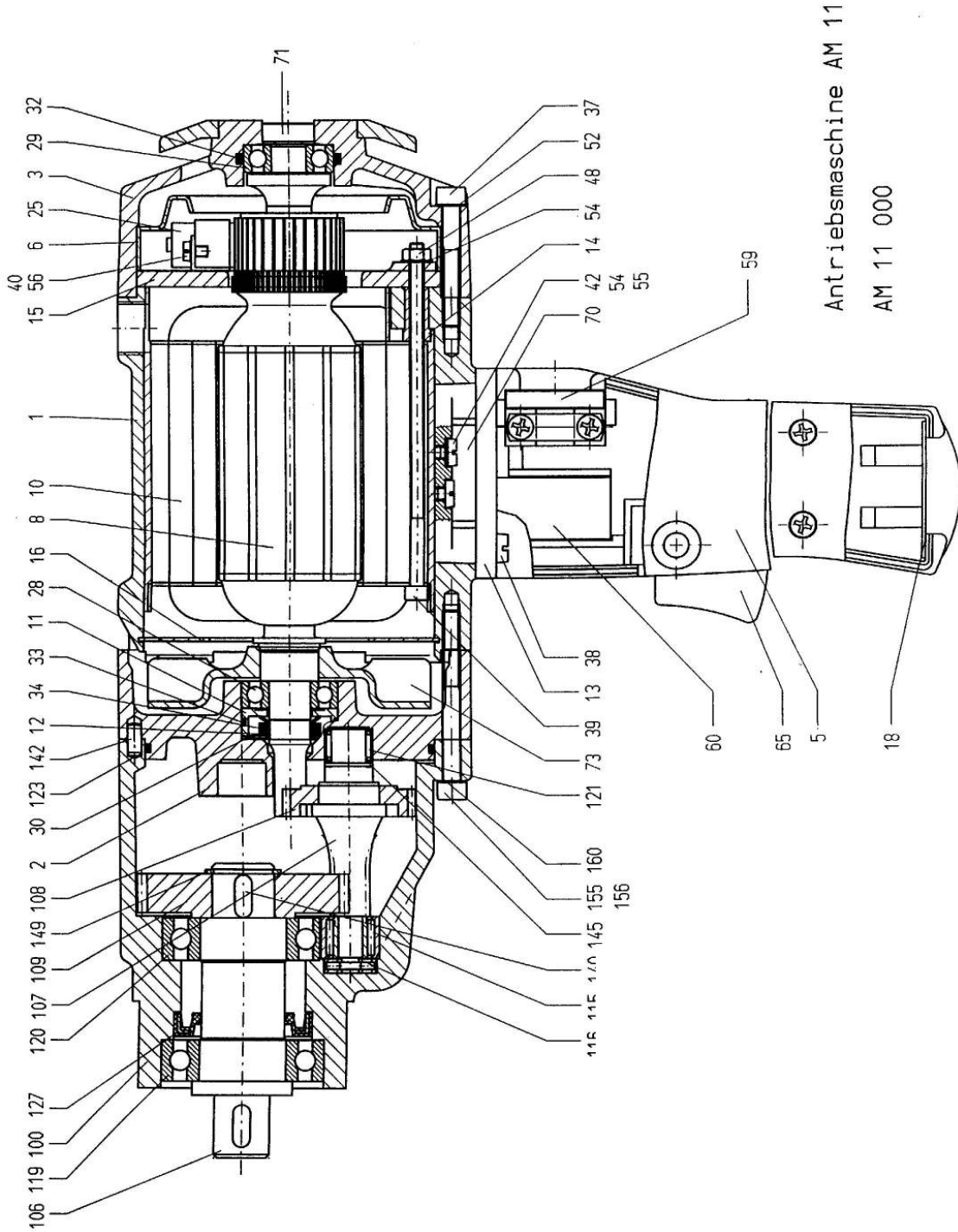
article-no	description	qty
6600646	angled hose screw fitting	1
D - 0012	feather key	1
D - 0020	granulate case	1
D - 0049	screwed plug 10/R 3/8	1
D - 0066	elbow screwed plug WES 10/R1/4	1
D - 0087	handle M14	1
D - 0093	circlip 45, DIN 472	1
D - 0129	Socket head cap screw M4x10 DIN912	1
D - 0145	connecting piece-granulate	1
D - 0160	screw M6x10	2
D - 0163	deep groove ball thrust bearing	1
D - 0170	disc 8,4 DIN 125-A	2
D - 0250	Extension burner pipe 30mm	1
D - 0277	Hexagon nut M3	4
D - 0363	hinge pin for hose clamp	1
D - 0364	screw M6x45 DIN912	6
D - 0378	die 5000	1
D - 0461	granulate cylinder	1
D - 0462	worm type 6000	1
D - 0634	distance pin	4
D - 0643	Eron extruder 1507-6007	1
D - 0647	holder-control box	1
D - 0747	screw M6x25 DIN912	4
D - 0852	screw M5x12 DIN912	1
D - 0996	thermoelement air	1
D - 1055	blowpipe 6007CS	1
D - 1060	shackle 6007	1
D - 1062	nut M8 DIN1587 VZ	2
D - 1516	strip heater ExOn5-6	1
D - 1646	cooling rips ExOn2-6	1
D - 1650	gasket heatsink ExOn2-6	1
D - 1754	mainboard ExOn2-6	1
D - 1807	line filter ExOn5-6	1
D - 1811	control box ExOn2+3	1
D - 1834	front paneel ExOn2+3	1
D - 1860	cylinder ExOn6 complete	1
D - 1861	thermoelement extruder ExOn5-6	1
D - 2050	screwed cable buckelproofed PG11	1
D - 2077	Drive unit Weka	1
D - 2134	widening PG9-PG11	2
D - 2290	supply cable 5x1,5	1
D - 2291	CEE plug 5pol 16A	1
D - 2322	screwed cable M16x1,5	1
D - 2370	sealing ring CU	1
D - 2377	temperature controller ExOn2-6 air	1
D - 2381	controller extruder ExOn5 mass	1
D - 2383	poti ExOn2-6	1
D - 2384	switch heater ExOn2-6	1
D - 2402	inductor Exon5	1

Eron ExOn2-6, Art-Nr: D - 1664

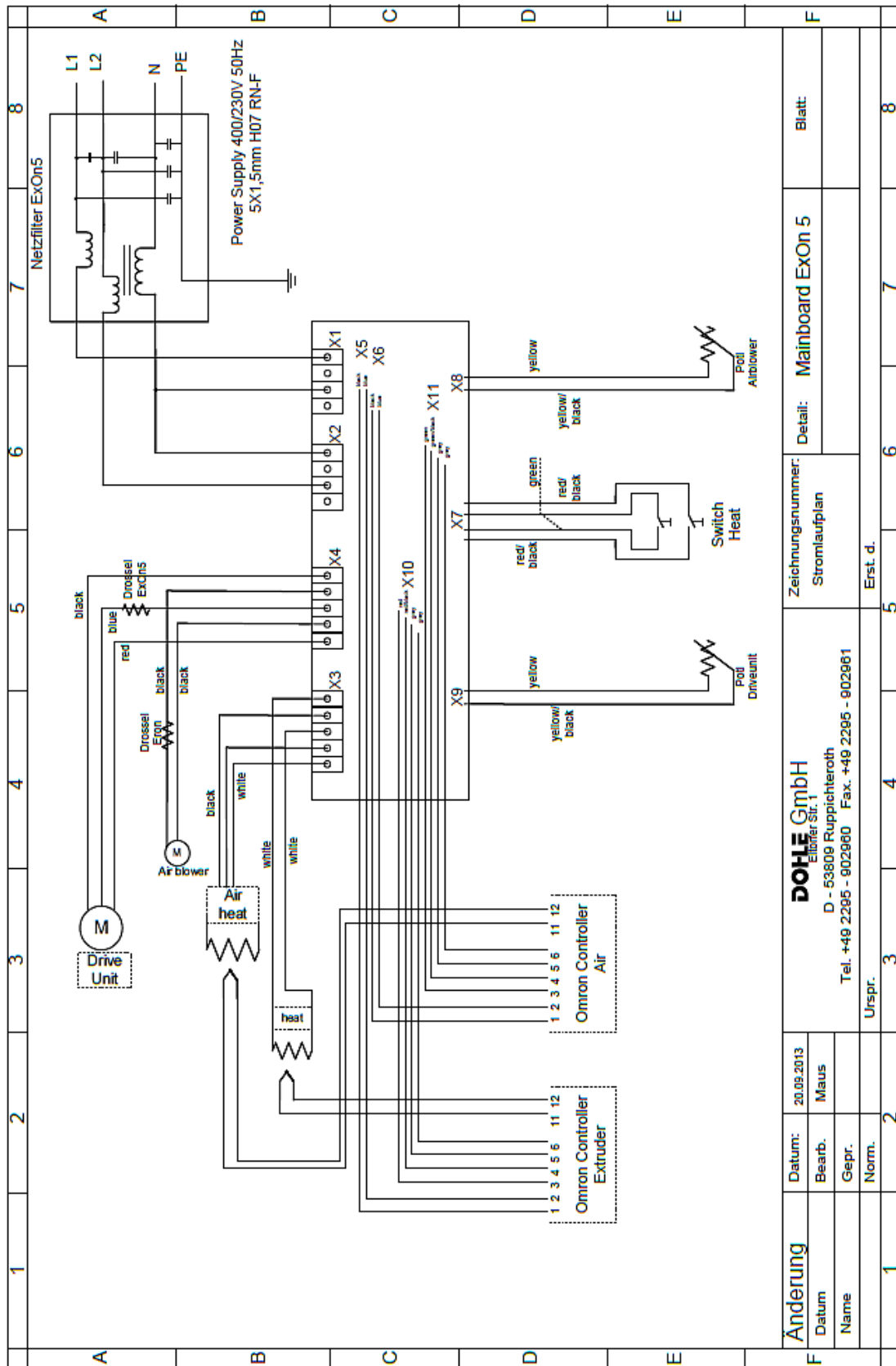


article-no	description	qty
5101270	gasket 70x48x4	1
5101760	mica tube 47,6x95	1
5113268	heating element 230V/2200W	1
6100284	countersunk screw M4x12 TX	3
6100287	hexagon nut M5	1
6113695	temperatur limit switch 135°C	1
6600596	thermoelement	1
6600601	air filter	1
6600606	motor 230V SL	1
6600607	carbon brush	2
6600612	rubber ring	1
6600613	turbine housing lower part	1
6600614	stripper	1
6600616	countersunk screw M3x10 TX	4
6600622	fillister head screw M4x10 TX	6
6600636	turbine	1
6600637	turbine	1
6600639	handle	1
6600644	connecting piece for cable sleeve	1
6600645	turbine housing upper part with hole 1/4"	1
6600646	angled hose screw fitting	1
6600647	cable sleeve 290mm	1
6600648	hose screw fitting straight	1
D - 2279	plastic nut M16x1,5	2
D - 2399	inductor Eron	1

Spare Parts Drive Unit



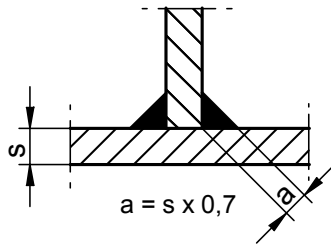
pos.	art.-no.	description	qty.
1	DW014	drive housing	1
2	DW017	gap cap	1
3	DW018	bearing cap with cover	1
5	DW019	switch handle	1
6	DW020	isolating cap	1
8	D-2167	anchor compl. with. blower a. bearing	1
10	DW022	magnet housing compl.	1
11	DW023	sealing bush	1
13	DW024	electronic housing	1
14	DW025	bolt Isolating cap	2
15	DW026	brush arch compl.	1
16	DW027	arial coductor disc	1
25	D-2078	carbon brush	2
28	DW007	deep groove ball bearing	1
29	DW029	deep groove ball bearing	1
30	DW030	spacer disc	1
32	DW006	o-ring RDR26x2,5	1
34	DW002	sealing bush with shaft seal	1
37	DW032	head cap screw M5x35	4
38	DW033	head cap screw M5x20	4
39	DW034	cylindersrew 4x100	2
40	DW035	cylindersrew M3x5	2
42	DW036	flat headed screw M4x6	1
48	DW039	hex nut M4	2
52	DW040	lock washer SM5	4
54	DW041	spring disc A4	3
55	DW042	washer 4,3	1
26	DW043	washer 3,2	2
59	DW044	closing plate	1
60	DW045	interferenc suppression capacitor	1
61	DW046	power cord	1
65	DW049	main switch	1
70	DW050	level tube	1
71	DW051	box level	1
73	DW008	blower	1
100	DW052	gear case	1
106	DW067	shaft	1
107	DW053	through-drive countershaft	1
108	DW054	through-drive wheel	1
109	DW055	arbor wheel	1
115	DW056	needle bearing	1
116	DW057	axial needle bearing AXK/AS 0515	1
119	DW058	deep groove ball bearing 6005Z	1
120	DW059	deep groove ball bearing 6005	1
121	DW060	needle bush HK1010	1
123	DW003	o-ring RDR78x2	1
127	DW001	shaft seal AD24x40x7	1
140	DW061	keyA5x5x12	1
142	DW062	cylindrical pin 4m6x10	1
145	DW063	adjusting washer PS10x16x1	1
149	DW012	retaining ring SW18	1
155	DW064	lhead cap screw M5x70	1
156	DW065	head cap screw M5x100	3
160	DW066	disc SM5	4



Anderung		Datum:	20.09.2013	Zeichnungsnummer:		Mainboard ExOn 5		Blatt:	
Datum		Bearb.	Maus	Stromlaufplan					
Name		Gepr.		D - 53809 Ruppichteroth					
		Norm.		Tel. +49 2295 - 902960 Fax. +49 2295 - 902961					
1		Urspr.	3	Erst. d.		5		7	
			4			6		8	

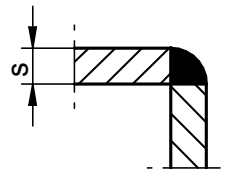
Welding Shoes

fillet weld



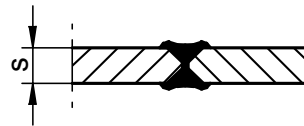
thickness of material	order - no.
5-8	D-0174
10-12	D-0175
15	D-0177
20	D-0178
25	D-0179
30	D-0180
35	D-0181
40	D-0182

corner weld



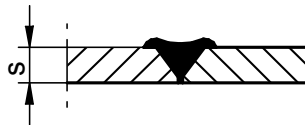
thickness of material	order - no.
5-8	D-0195
10-12	D-0196
15	D-0197

X - weld



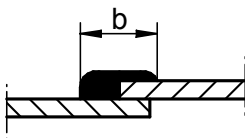
thickness of material	order - no.
10	D-0198
15	D-0199
20	D-0200
25	D-0201
30	D-0202
35	D-0203
40	D-0204

V-seam



thickness of material	order - no.
5-8	D-0183
10	D-0184
12	D-0185
15	D-0186
20	D-0187
25	D-0188
30	D-0189
35	D-0190
40	D-0191

film weld



width of weld B	order - no.
25	D-0192
30	D-0193
35	D-0194
40	D-0599

welding shoe, round

	order - no.
Ø15	D-0600
Ø20	D-0366
Ø25	D-0337

welding shoe - unshaped

size	order - no.
30 x 30 x 45	D-0223
30 x 40 x 50	D-0224
30 x 45 x 45	D-0225
50 x 60 x 80	D-0247
50 x 70 x 80	D-0248
Ø35	D-0598

please require for shoes for special application